

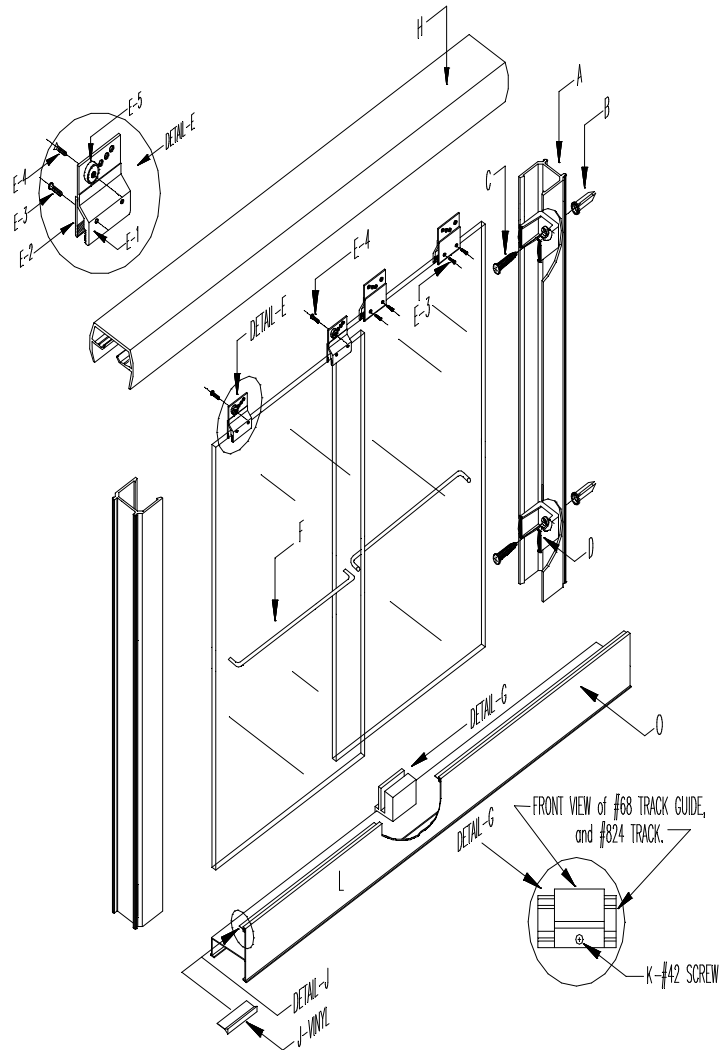


PETERSON
SHOWER DOORS

Fiesta Deluxe Frameless Series

Shower Enclosures
Models - S46FD S58FD

Tub Enclosures
Model - T58FD



GLAZED
INCLUDES
GLASS



KD
DOES NOT INCLUDE
GLASS



WHEN ORDERING REPLACEMENT PARTS,
REFER TO PART # DESCRIPTION & MODEL #

KEY LETTER	PART #	PART LIST DESCRIPTION	QUAN.
A	605	Wall Jamb	2
B	64	Wall Anchor	4
C	43	Installation Screw 8x1 PH Pan SMS	4
D	69	Bumper	4
E1	822	Glass Bracket	4
E2	823	Glass Bracket	4
E3	51	Glass Bracket Screw 6-32 x 1/2 Pan	8
E4	40	Roller screw #8-32x3/8" P.H. Truss	4
E5	23	Roller	4
F		Towel Bar	2
G	68	Track Guide	1
H	801	Header	1
J	90	Track Vinyl	1
K	42	Track Screw 6 x 3/8 PH SMS	1
L	824	Track	1



PETERSON

SHOWER DOORS

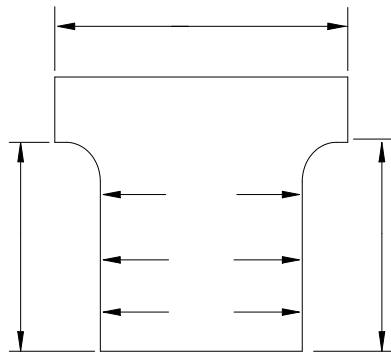
Fiesta Deluxe Frameless Series

Shower Enclosures
Models - S46FD S58FD

Tub Enclosures
Model - T58FD

BEWARE

1. When measuring look out for towel bars, electric switches, paper holders, tile obstruction, etc.
2. All measurements to be taken facing the enclosure while standing in the bathroom.
3. Give accurate measurements between all arrows.



Installation Instructions

- (1) Measure bottom of opening, deduct 1/4" then cut bottom track to size.
- (2) Locate mid-point of track in channel provided, drill 1/8" hole at mid point.
- (3) Apply a bead of caulk to bottom of track and set in place.
- (4) Put one wall jamb in place and mark holes on wall, remove jamb, using a 3/16" masonry bit drill holes in wall. Insert one plastic wall anchor in each hole. Thread a #8x1" installation screw through bumper provided and secure jamb to wall using this assembly. Repeat procedure with other jamb.
- (5) Measure width of opening (wall to wall) above the jambs. Cut header to this size minus 1/8".
- (6) Install header on jambs.
- (7) Install rollers on glass clips using #8-32x1/4" screws.
- (8) Hang panels on header.
- (9) Using #6x3/8" screw attach track guide to track using hole previously drilled.
- (10) Install towel bar on outside panel.